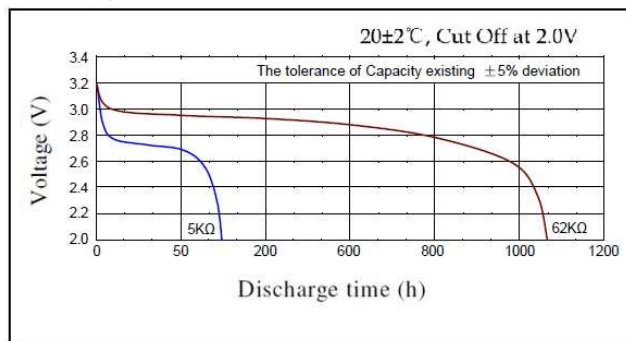


Description : Flat Lithium Battery
Chemical system : Lithium Manganese
Nominal voltage : 3 Volts
Nominal capacity : 62mAh
Dimensions : $\varnothing 12.5\text{mm} \times 2.5\text{mm}$
Shelf life : 10 years at room temperature
Average weight : 1.0 grams
Operation temperature : $-20^{\circ}\text{C} \sim 60^{\circ}\text{C}$
Storage temperature : $20 \pm 2^{\circ}\text{C}$

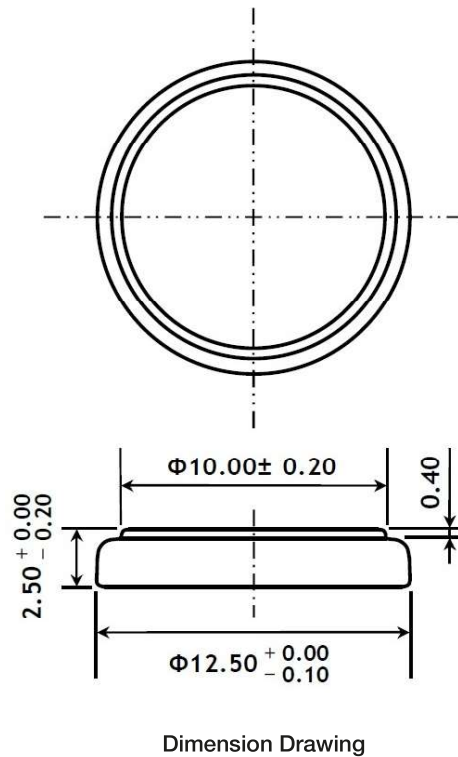
Cross References:

IEC	JIS	Panasonic	Varta
BR1225	BR1225	BR1225	CR1225

Discharge Characteristics



Model No.: **CR1225**



The information (subject to change without prior notice) contained in this document is for reference only and should not be used as a basis for product guarantee or warranty. For applications other than those described here, please consult your nearest GP Sales and Marketing Office or Distributors.