

GP Batteries

Basic information:

Product Name : Prosumer Multi-power Flashlight
Dimension : 137 x Ø 39 mm
Weight : 135 g (without battery) / 185 g (with battery)

Per ANSI FL1 Standard:

Lumen output (+/- 15%) : 1050 lm / 525 lm / 160 lm / 50 lm
Candela (+/- 15%) : Max. 10850 cd
Beam distance (+/- 15%) : Max. 210m
Runtime (+/- 15%) : 1050 lm: 2 hours, 525 lm: 3 hours 45 mins, 160 lm: 10 hours 30 mins
50lm: 65 hours
IP rating : IPX8
Impact resistance : 1.5 m

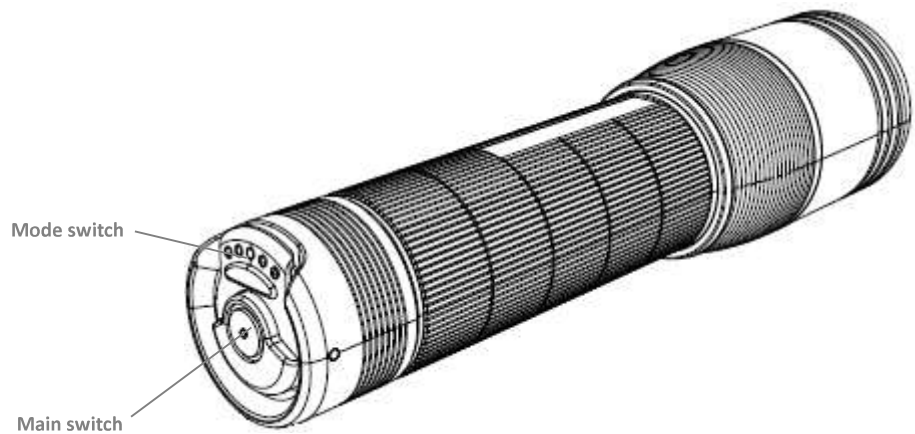
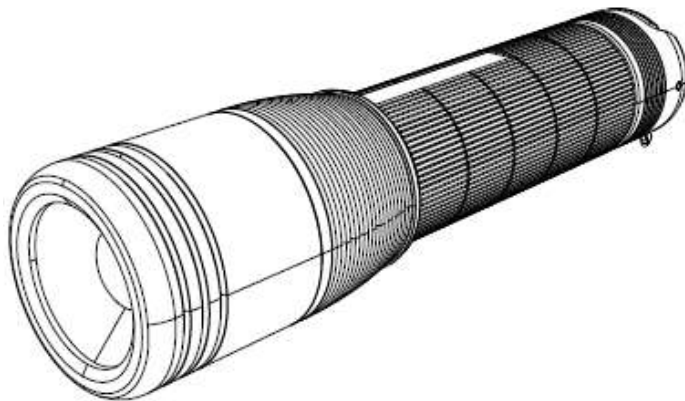
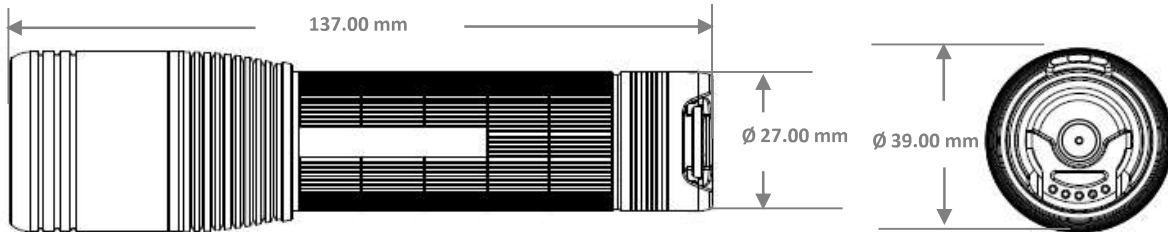
Technical parameters:

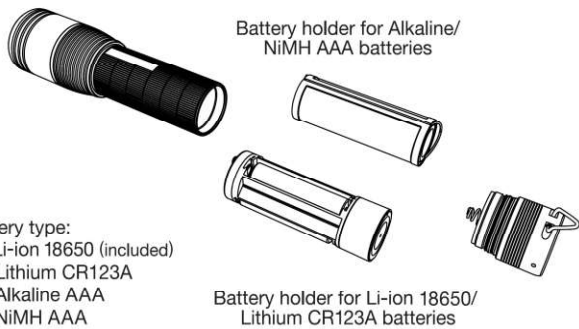
LED chip : CREE LED
Color temperature : 5700 – 7000K
Housing material : Aluminum with type II hard anodizing (Grey)
Battery type : 1 x Li-ion 18650 batter / 2 x Lithium CR123A / 3 x AAA Alkaline / 3 x AAA NiMH
Focus : Yes (By rotating the lamp head)
Switch : Dual switch system
- Mechanical switch (Main switch) (On tail cap)
- Electronic switch (Mode switch) (On tail cap)
Light mode : On – Off / Momentary-on / Strobe / SOS
(Refer to attached manual for operations)
Rechargeable : Built-in Micro USB – Input 5V, 800mA
Accessories : USB Cable, O-ring, Pouch, Lanyard, GP Li-ion 18650 2600mAh,
Charger for Li-ion 18650 battery & Battery holder for AAA battery
Certification : CE, ROHS



GP Batteries

Technical drawings:





Battery type:
 1 x Li-ion 18650 (included)
 2 x Lithium CR123A
 3 x Alkaline AAA
 3 x NiMH AAA

Battery holder for Alkaline/
 NiMH AAA batteries

Battery holder for Li-ion 18650/
 Lithium CR123A batteries

Charging Li-ion 18650 battery*

1. Unscrew the tail cap (A) and take out the Li-ion 18650 battery.
2. Connect the micro connector of the USB charging cable to the input port of the charger.
3. Connect the type A connector of the USB charging cable to a USB power source. The LED will flash red and then green for a second to indicate it's ready for charging.
4. Insert the Li-ion battery into the charger according to the battery polarity.
5. Operation starts. Refer to the LED indication for the status for each battery.

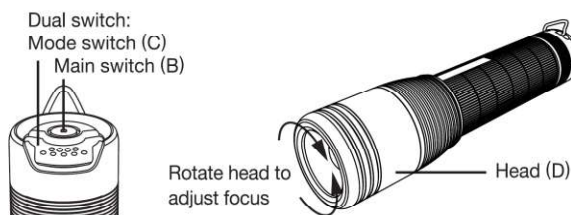
Power connected	Flash Red & Green Once
Charging in Progress	Constant Red
Charging Completed	Constant Green
Bad or Wrong Battery	Flashing Red
Reversely Connected	Flashing Red

6. Once the operation has been completed, disconnect the charger from the wall socket. The LED will turn red during charging and turns green when the battery is fully charged.

* Read the charger (L111) user manual before charging Li-ion 18650 battery.

Fitting batteries (Alkaline/NiMH AAA):

1. Make sure flashlight is off and unscrew the tail cap (A).
2. Remove old batteries and install new batteries in the correct polarity. Insert new batteries according to the polarity indications (+) and (-) marked on the battery holder. Care to install all three batteries as described as failure to do this may cause damage to the flashlight.
3. Screw the tail cap back into place. The torch is now ready for use.
4. Do not use non-rechargeable batteries and rechargeable batteries together.



Operation

Rotate head (D) to adjust focus.

When light off:

Press (B) → On → Press (B) → Off			
Half press (B) → Momentary on → Release → Off			
Press (B) → High → Press (C) → Medium → Press (C) → Low → Press (C) → Eco (the cycle repeats)			
Flashlight memorizes last output used			
Press (C) 3 times within 1 sec → SOS	<table border="0"> <tr> <td>┌ Press (B) → High</td> </tr> <tr> <td>└ Press (C) → Off</td> </tr> </table>	┌ Press (B) → High	└ Press (C) → Off
┌ Press (B) → High			
└ Press (C) → Off			

Press (C) → Instant strobe

Press (C) → Hold >5 sec → Continuous strobe ┌ Press (B) → High
 └ Press (C) → Off

When light on:

Press (C) 3 times within 1 sec → SOS ┌ Press (B) → Off
 └ Press (C) → High

Press (C) → Hold >3 sec → Continuous strobe ┌ Press (B) → Off
 └ Press (C) → High

Lockout mode when light on/off:

Press (C) 7 times within 2 sec → Flashes twice — Lockout mode activated → When (C)/(B) is pressed, flashlight flashes once momentarily to show in lockout mode

When lockout mode is activated → Press (C) 7 times within 2 sec → Flashes twice — Deactivated

Features

- Multiple battery options - compatible with 1 x Li-ion 18650/ 2 x Lithium CR123A/3 x Alkaline AAA/3 x NiMH AAA batteries.
- Light modes: High/medium/low/eco + strobe, SOS and momentary-on.
- Dual switch for ease of use and operation.
- Focus: one-handed adjustable focusing.
- Intelligent memory circuit recalls last light output used.
- Durable aircraft grade aluminum body with hard. wearing anodized protective coating.
- Polarity protection and PWM regulation for accurate light output.
- Tail-stand and anti-roll.

Specifications

Lumen output*:	1050 lm/525 lm/160 lm/50 lm
Candela*:	10850 cd
Beam distance*:	210 m
Runtime*:	2 h/3 h 45 mins/10 h 30 mins/65 h
IP rating:	IPX8
Impact resistance:	1.5 m
Battery type:	Li-ion 18650/Lithium CR123A/ Alkaline AAA/NiMH AAA
LED:	Cree LED
Weight:	135 g without batteries
Dimension:	137 x 35 mm

* Note: The above data is based using a GP 3.7 V/2600 mAh Li-ion 18650 battery according to ANSI FL1 standard. Data will vary if an optional power source such as Lithium CR123A/Alkaline AAA/ NiMH AAA is used.

Safety Instructions and Warnings

⚠ Batteries

Use 1 x Li-ion 18650 battery with integrated overcharge and over-discharge Protection Circuit Module (PCM). Failure to use high quality batteries with PCM may result in damage to the flashlight and battery.

Replacing battery

When changing batteries first switch off flashlight before removing tail cap (A) and install new batteries in the appropriate battery holder. Screw the tail cap when batteries have been correctly fitted according to prescribed polarity markings on the battery holder (+) and (-). Care should be taken that the batteries are installed in accordance with the battery polarity.